

## PTM - hand fork lift truck scale

**Have you ever calculated how much extra work is entailed by taking goods to be weighed?**

**Why not bring the scale to the goods instead !**

### Lifting – weighing – transporting:

with its exceptional qualities, the PTM hand fork lift truck scales are the ideal weighing system, integrating smoothly into the daily work procedure while simplifying and shortening it.

### Versatile and compact

The PTM-V hand fork lift truck registers and documents the weight of the goods as soon as it takes up the pallet. Load cells, weighing terminal and document printer are directly integrated in the fork lift truck and may be implemented immediately as required without any extra effort.

### Precise

Four high-precision load cells are integrated in the forks for recording weights. They are protected against impacts by mechanical safety stops.

### High grade steel version

High grade steel version including the high grade steel weighing terminal EV-7 S or D430, e.g. for the food industry.

### Easy operation

The lift function (up and down stroke) is performed via a handle on the drawbar (lift pump with automatic end stop).

The EV 7-S or D 430 weighing terminals are mounted on the truck in clear view of the operator (CE approved, EMV-tested).

See product informations weighing terminals no. 668 ( EV 7-S) and no. 669 (D 430) for more information and functions of weighing terminals.

Type PTM-NE IX with weighing terminal EV 7-S



Type PTM-N IX with weighing terminal D 430 and printer



**Technical data**

**PTM-N IX – Inox version including weighing terminal D 430**

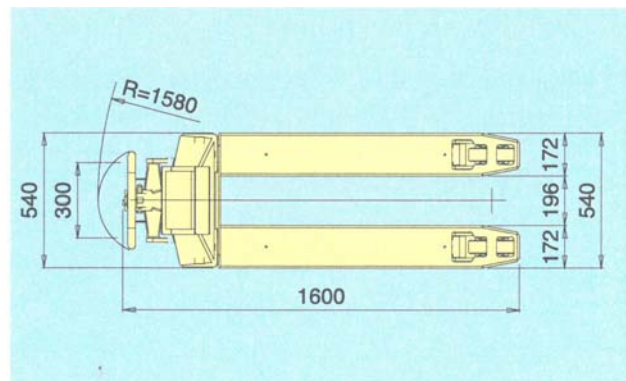
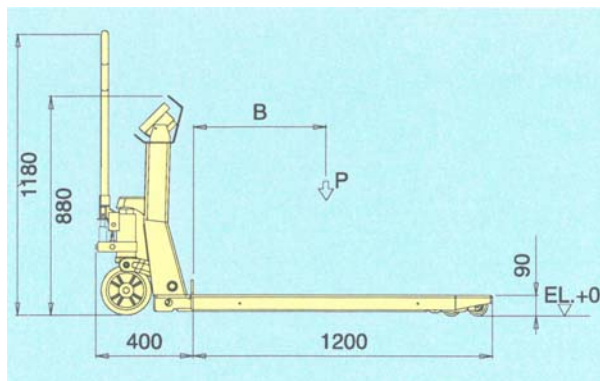
Type	Weighing range (kg)	Increment (kg)	Design	Version
PTM-N IX 6	300 / 600	0,2 / 0,5	stainless steel	non verifiable
PTM-N IX 6	300 / 600	0,2 / 0,5	stainless steel	verifiable
PTM-N IX 15	500 / 1000 / 2000	0,5 / 1,0 / 2,0	stainless steel	verifiable
PTM-N IX 20	1000 / 2000	0,5 / 1,0	stainless steel	non verifiable

**PTM-NE IX – Inox version including weighing terminal EV 7-S**

Type	Weighing range (kg)	Increment (kg)	Design	Version
PTM-NE IX 6	300 / 600	0,2 / 0,5	stainless steel	non verifiable
PTM-NE IX 20	1000 / 2000	0,5 / 1,0	stainless steel	non verifiable

**Dimensions / additional technical details hand fork lift truck scales series PTM**

P	Load capacity	2000 kg
B	Center of mass	600 mm
∅	Wheels	200 mm
∅	Rollers	80 mm
	Battery	12/7 V/Ah



- Thermo paper printer for immediate document printing on fork lift truck
- pedal operating parking brake
- memory for permanent weights (only weighing terminal D 430)
- radio link to PC or terminal on ground station
- Works calibration: the verifiable Fork lift truck scales including our electronic weighing units may be delivered works-calibrated and may be suburb installed by the customer.



- Subject to technical alterations -

**Pfister Waagen Bilanciai GmbH**

Linker Kreuthweg 9 – D-86444 Affing-Mühlhausen (Germany)  
 T: +49 (0) 82 07 / 9 58 99 -0 – F: +49 (0) 82 07 / 9 58 99 -29  
 E: sales@pfisterwaagen.de - Internet: www.pfisterwaagen.de

**Product information  
 Nr. 1522b**

04/2013