

Fork lift truck scale PTE-V

Weighing on fork lift trucks

Non-verifiable versions or verifiable versions according to class III

May be attached to all fork holders according to FEM classification

Extensive user and storage options



„Lift and weigh“ – the PTE-V fork lift truck scale captures, records and documents the weight of goods as the pallet is picked up.

With its excellent features, the PTE-V is an ideal weighing system that may be smoothly incorporated in your logistical process, both simplifying and reducing it.

Versatile

The weighing system is compatible with all fork holders complying to FEM classification. Implementation is also possible on fork lift trucks with tilt, extension and shift-action holders as well as depalletizers.

Precise

Adjusted to your precision requirements, the PTE-V is available for non verifiable operation or verifiable operation in class III.

An integrated inclination sensor is additionally available, assuring precision up to an angle of 10 % (optional).

When calculating the total load bearing capacity of the fork lift truck, the dead weight of the fork lift truck scale must be taken into consideration.

Rugged

Due to its compact and exceptionally rugged design, the PTE-V is a match for the requirements of daily indoor and outdoor implementation.



Easy handling

The **EV 22** weighing terminal is mounted in the fork lift truck where it is clearly visible from the driver's seat (CE approved EMV tested).



In its standard version, the terminal administers the following data:

- date and time of day
- weight: gross, auto or set tare, net
- multiple tare values and their administration
- zero setting
- test
- general 6-digit code
- serial weighing number
- summing of the gross, tare and net weights arranged according to: total value, partial value, goods code and general code
- the 4-digit goods or customer code may be assigned an alphanumeric code (16-digit) from the memory
- output via two serial interfaces (printer, PC, etc.)

The following additional special functions are available:

- multiple tare: a packaging unit (PU) on the scale is tared; the number of the same packaging units is recorded. The total tare (= sum of the PUs) is calculated automatically.
- partial amount counter: the scale may be gradually loaded; partial weights may be recorded and printed out whereby the display is reset to zero inbetween weighing procedures.
- counter scale function with saving of unit weights and calculation of the total unit quantities

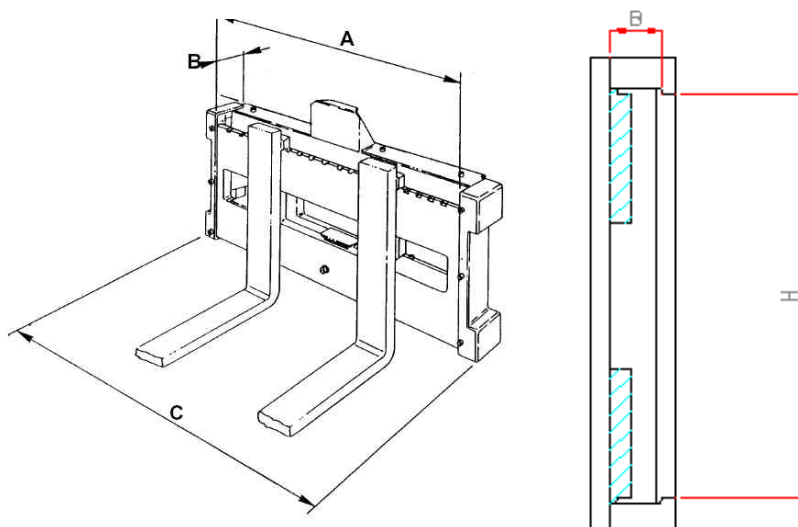
Accessories (options):

- thermo-paper printer for immediate document print-out in driver's cab
- radio link to PC or terminal on ground station
- memory for permanent weights



Technical data PTE-V

The PTE-V fork lift truck scale is available in different versions:



Non-verifiable version without electronic inclination sensor

Model PTE-V	For fork trucks with bearing load (kg)	Increment (kg)	FEM fork support panel / Height H (mm)	Wide fork support panel A (mm)	Depth PTE-V B (mm)	Weight (kg)
152/90	500/1500	1 / 2	2 (407 mm)	900	113	207
152/110	500/1500	1 / 2	2 (407 mm)	1100	113	247
252/90	1000/2500	2 / 5	2 (407 mm)	900	113	207
252/110	1000/2500	2 / 5	2 (407 mm)	1100	113	247
253/110	1000/2500	2 / 5	3 (508 mm)	1100	136	350
403/110	2500/4000	5 / 10	3 (508 mm)	1100	136	350

Non-verifiable version with electronic inclination sensor

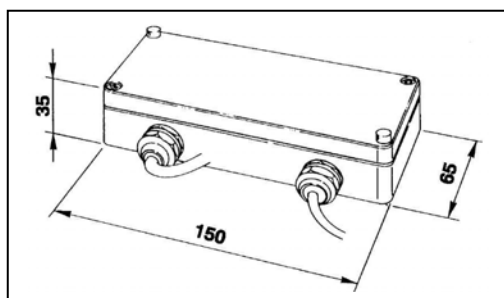
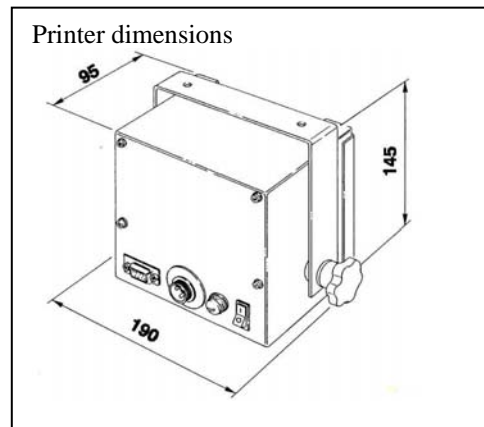
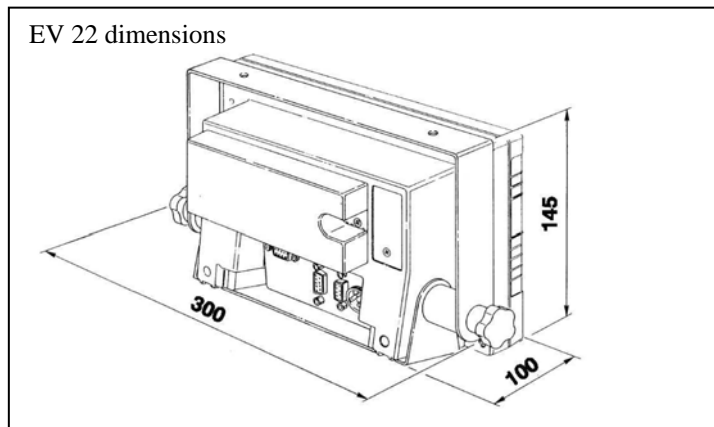
Model PTE-V	For fork trucks with bearing load (kg)	Increment (kg)	FEM fork support panel / Height H (mm)	Wide fork support panel A (mm)	Depth PTE-V B (mm)	Weight (kg)
152/90	1500	1	2 (407 mm)	900	113	207
152/110	1500	1	2 (407 mm)	1100	113	247
252/90	1500/2500	1 / 2	2 (407 mm)	900	113	207
252/110	1500/2500	1 / 2	2 (407 mm)	1100	113	247
253/110	1500/2500	1 / 2	3 (508 mm)	1100	136	350
403/110	2500/4000	1 / 5	3 (508 mm)	1100	136	350

Verifiable version to class III with electronic inclination sensor

Model PTE-V	For fork trucks with bearing load (kg)	Increment (kg)	FEM fork support panel / Height H (mm)	Wide fork support panel A (mm)	Depth PTE-V B (mm)	Weight (kg)
152/90	1000/1500	1 / 2	2 (407 mm)	900	113	207
152/110	1000/1500	1 / 2	2 (407 mm)	1100	113	247
252/90	2000/2500	2 / 5	2 (407 mm)	900	113	207
252/110	2000/2500	2 / 5	2 (407 mm)	1100	113	247
253/110	2000/3500	2 / 5	3 (508 mm)	1100	136	350
403/110	2000/4000	2 / 5	3 (508 mm)	1100	136	350

Dimensions

Further dimensions of weighing indicator EV22, printer and supply unit:



Notes

1. When operating the fork lift truck scale on diesel fork lift trucks with a 12 V electrical system please note that the battery voltage drop on starting the engine causes the weighing terminal to switch off. The minimum supply voltage of the EV 22 amounts to 11.5 VDC. All part weighings that may have been performed previously are then deleted in the EV22.
2. A DCDC converter that provides a constant 12 V given an input voltage of 8...32V is optionally available.
3. The maximum lifting stroke with a coiled cable is 6 m.
4. In the case of greater lifting strokes, a guideway for the coiled cable is recommended! Mounting depends on the type of fork lift truck in question. Cable pull guiding is optionally available.
5. Alternatively, instead of the coiled cable, the measuring cable may be inserted in a hydraulic tube. The measuring cable for this purpose is included in the package supplied. The path rollers for guiding the hydraulic tube measuring cable and the hydraulic tube are not included in the package supplied. The parts should be procured by the customer on-site and mounted on the fork lift truck.

-Technical data subject to modification without notice-

Pfister Waagen Bilanciali GmbH

Linker Kreuthweg 9 – D-86444 Affing-Mühlhausen (Germany)
T: +49 (0) 82 07 / 9 58 99 -0 – F: +49 (0) 82 07 / 9 58 99 -29
E: sales@pfisterwaagen.de - Internet: www.pfisterwaagen.de

**Product information
Nr. 1521**

12/2010