

MÜSW mobile truck weighbridge

Modular steel weighbridge for surface mounting

Hire – Lease - Buy

Compact modular weighbridge

Robot-welded steel weighbridge composed of disassembled, lacquered modules

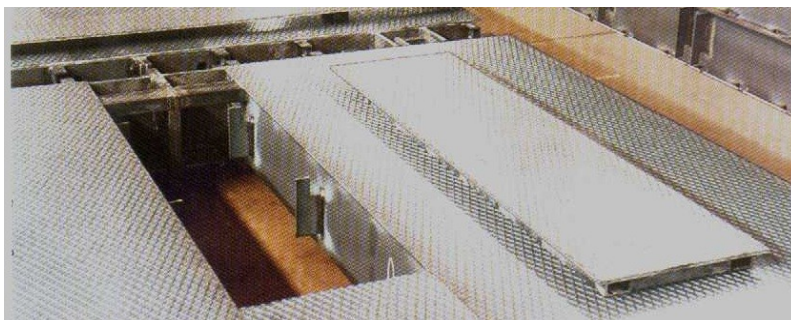
Bridge module, run-on ramps and support plates completely in steel

Highly resistant structure, also suitable for major concentrated loads

Easy set-up, no major on-site preparation required

Verifiable to PTB, precision class III, with pressure load cells complying with CE guidelines and OIML recommendations

Ideally implementation for short-term projects, e.g. large building sites, roadworks or for seasonal use in agriculture or wherever no customary foundation is possible.



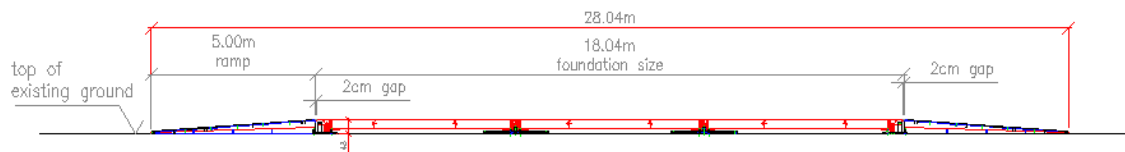
Easy access for maintenance and cleaning along the entire length of the weighbridge by removing the cover plates or via the sides.



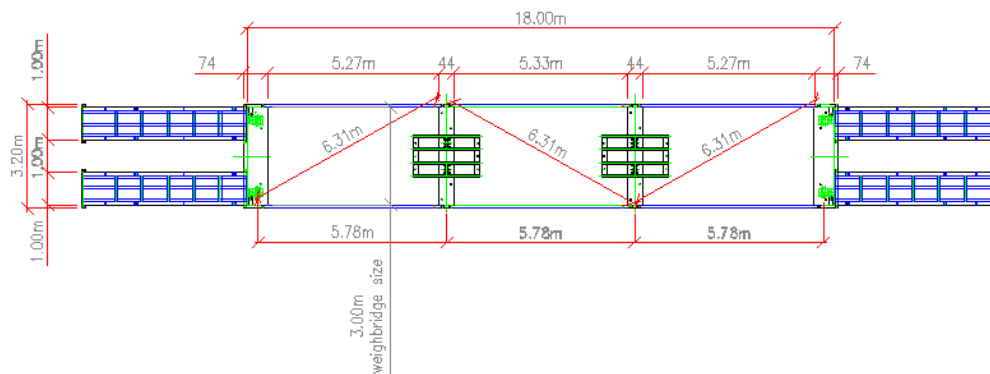
Easy to transport and move due to modular design

Technical data

Standard weighbridge sizes	Weighing range	Load capacity	No. of modules
L x W (actual lengths)	(No. of load cells)	to DIN 8119	
12.2 x 3 m	40.000 kg (6)	50.000 kg	2
18.0 x 3 m	60.000 kg (8)	60.000 kg	3
Export version: 12,45 x 3 m	40.000 kg (8)	50.000 kg	3 (fitting for transport with 20'OT container)
Export version: 18.46 x 3 m	60.000 kg (10)	60.000 kg	4 (fitting for transport with 20'OT container)



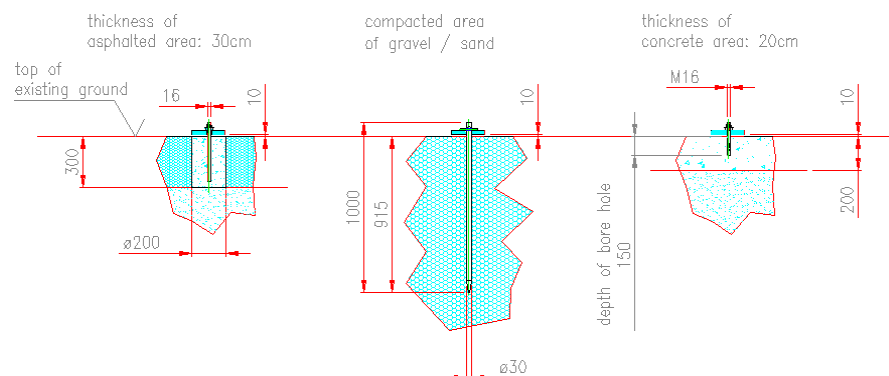
Surface-mounting height 40 cm



Several securing variants possible due to steel plate construction:

- on supportive asphalted areas
- on sufficiently supportive compacted beds of gravel and sand
- on concrete areas

Required levelness of underlying ground: 1 cm along the entire length and width of the mounting area





Option: side rail secured to weighbridge as protection against falling

Combined with the Pfister digital weighing terminals and perfected software, the MÜSW mobile truck weighbridge becomes a fully electronic, efficient weighing system.

-Technical data subject to modification without notice-

Pfister Waagen Bilanciai GmbH

Linker Kreuthweg 9 – D-86444 Affing-Mühlhausen (Germany)

T: +49 (0) 82 07 / 9 58 99 -0 – F: +49 (0) 82 07 / 9 58 99 -29

E: sales@pfisterwaagen.de - Internet: www.pfisterwaagen.de

Product information

Nr. 1278b

01/2009